

# Technical data sheet



## Product features

### Toaster 4x holders 2x grid

**Model**

**SAP Code**

00004295



- Standard equipment for device: 4x tongs, 2x grid
- Timer: Yes
- Material: Stainless steel
- Indicators: operation and warm-up
- Removable rear wall of the device: Yes
- Container for liquid fat: Yes

<b>SAP Code</b>	00004295	<b>Net Weight [kg]</b>	11.00
<b>Net Width [mm]</b>	348	<b>Power electric [kW]</b>	2.400
<b>Net Depth [mm]</b>	274	<b>Loading</b>	230 V / 1N - 50 Hz
<b>Net Height [mm]</b>	403	<b>Standard equipment for device</b>	4x tongs, 2x grid

# Technical data sheet



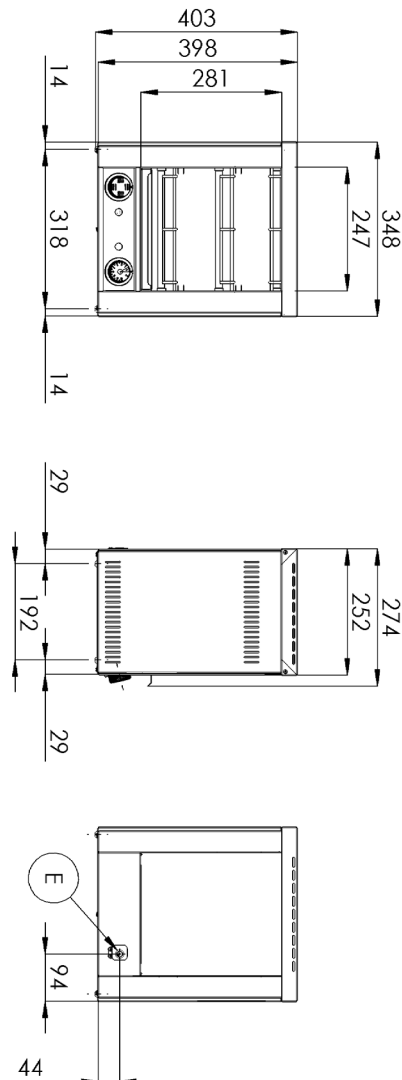
Technical drawing

Toaster 4x holders 2x grid

Model

SAP Code

00004295



### Toaster 4x holders 2x grid

Model

SAP Code

00004295

1

#### All-stainless design

only stainless steel intended for food contact is used

- absolutely rust-proof and non-magnetic design
- resists even weak acids easier compliance with hygiene standards (HACCP); easy maintenance and cleaning

2

#### Run and warm-up light

optical possibility to check the status of the device

- the operator immediately knows the on/off, heating/ non-heating state of the appliance

3

#### Separate control for individual sections

the possibility of a heating system separately

- greater variability of use

4

#### Catch container for breadcrumbs

breadcrumbs fall outside the furnace

- no crumbs falling off

5

#### Removable back wall

possibility to open the back wall of the device

- possible filling of the equipment by the operator

6

#### Silicon heaters

immediate onset of heat  
intense radiant heat

- the device can be switched off even during the operating day
- toasted food vigorously and without overheating inside
- faster food preparation

7

#### The tongs and grid are part of the standard equipment

I can put the food on the grate or put it in tongs

- universally applicable equipment
- I can prepare different types of food using standard equipment

# Technical data sheet



## Technical parameters

### Toaster 4x holders 2x grid

Model

SAP Code

00004295

**1. SAP Code:**

00004295

**2. Net Width [mm]:**

348

**3. Net Depth [mm]:**

274

**4. Net Height [mm]:**

403

**5. Net Weight [kg]:**

11.00

**6. Gross Width [mm]:**

355

**7. Gross depth [mm]:**

395

**8. Gross Height [mm]:**

440

**9. Gross Weight [kg]:**

12.00

**10. Device type:**

Electric unit

**11. Construction type of device:**

Table top

**12. Material:**

Stainless steel

**13. Power electric [kW]:**

2.400

**14. Loading:**

230 V / 1N - 50 Hz

**15. Standard equipment for device:**

4x tongs, 2x grid

**16. Protection of controls:**

IPX4

**17. Timer:**

Yes

**18. Removable rear wall of the device:**

Yes

**19. Container for liquid fat:**

Yes

**20. Indicators:**

operation and warm-up